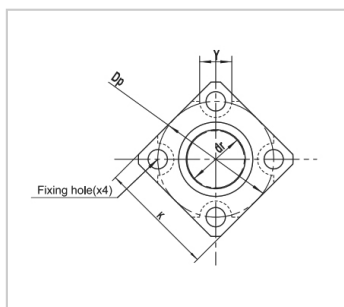
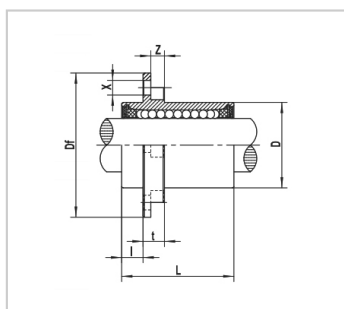


Compact linear bearings

LMK-E-TH series-LMK6UUE-TH|LMK6E-TH

参数信息:



model :

|                                |             |
|--------------------------------|-------------|
| Synthetic resin retainer :     | LMK6UU E-TH |
| Number of steel ball columns : | 6           |
| Weight (g) :                   | 15          |

Main dimensions and tolerances (mm) :

|             |          |
|-------------|----------|
| dr :        | 6        |
| tolerance : | 0~-0.009 |
| D :         | 10       |
| tolerance : | 0~-0.015 |
| L :         | 19       |
| tolerance : | ±0.3     |

Main dimensions and tolerances (mm) flange :

|                            |     |
|----------------------------|-----|
| I :                        | 5   |
| DF :                       | 25  |
| t :                        | 5   |
| DP :                       | 19  |
| K :                        | 20  |
| X :                        | 3.5 |
| Y :                        | 6   |
| Z :                        | 3.1 |
| Eccentricity (um) :        | 12  |
| Vertical difference (um) : | 12  |

Rated load :

|         |     |
|---------|-----|
| C(N) :  | 130 |
| Co(N) : | 154 |

model : LMK6E-

TH

: