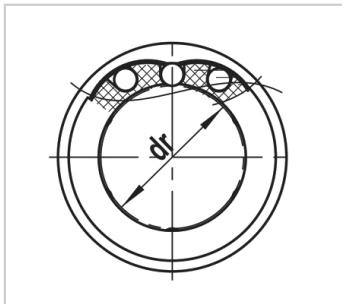
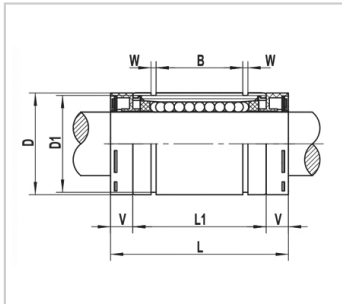


Oil storage linear bearing

LM-OL series-LM10UU-OL|LM10-OL

参数信息:



model :

| | |
|-------------------------------------|-----------|
| Synthetic resin retainer : | LM10UU-OL |
| Integral stainless steel retainer : | LM10-OL |
| Number of steel ball columns : | 4 |
| Weight (g) : | 28 |

Main dimensions and tolerances (mm) :

| | |
|-------------|----------|
| dr : | 10 |
| tolerance : | 0~-0.009 |
| D : | 19 |
| tolerance : | 0~-0.013 |
| L : | 39 |

Main dimensions and tolerances (mm)

| | |
|---------------------|--------|
| flange : | |
| L2 : | 29 |
| tolerance : | 0~-0.2 |
| B : | 10.4 |
| tolerance : | 0~-0.4 |
| U : | 5 |
| W : | 1.3 |
| D1 : | 18 |
| Eccentricity (um) : | 12 |

Rated load :

| | |
|---------|-----|
| C(N) : | 370 |
| Co(N) : | 545 |

: