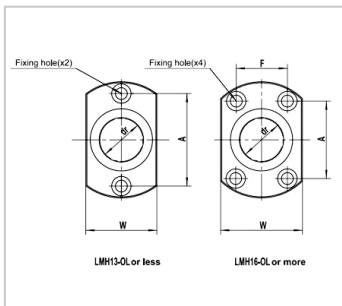
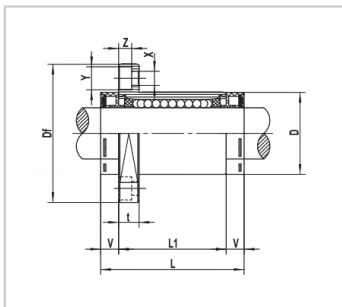


Oil storage linear bearing

LMH-OL series-LMH25UU-OL|LMH25-MX

参数信息:



model :

| | |
|--------------------------------|----------------|
| Synthetic resin retainer : | LMH25U U-OL |
| Number of steel ball columns : | 6 |
| Weight (g) : | 344 |

Main dimensions and tolerances (mm) :

| | |
|-------------|----------|
| dr : | 25 |
| tolerance : | 0~-0.010 |
| D : | 40 |
| tolerance : | 0~-0.019 |
| L : | 77 |
| L1 : | 59 |
| tolerance : | 0.3~-0.3 |

Main dimensions and tolerances (mm)

flange :

| | |
|----------------------------|-----|
| V : | 9 |
| Df : | 62 |
| W : | 46 |
| t : | 8 |
| A : | 40 |
| F : | 32 |
| X : | 5.5 |
| Y : | 9 |
| Z : | 5.1 |
| Eccentricity (um) : | 15 |
| Vertical difference (um) : | 15 |

Rated load :

| | |
|--------|-----|
| C(N) : | 980 |
|--------|-----|

| | |
|---------|--------------|
| Co(N) : | 1570 |
| model : | LMH25- MX |

: