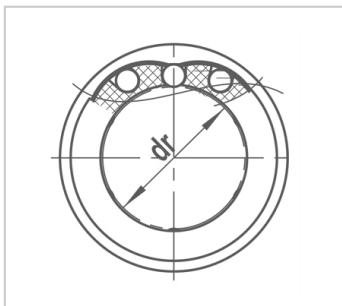
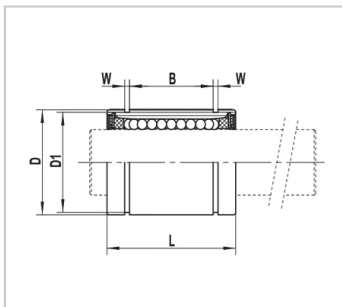
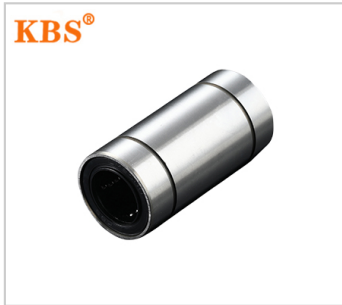


Medium sized linear bearing flange

LM-UD series-LM6UU-UDLM6-UD

参数信息:



model :

Synthetic resin retainer :	LM6UU-UD
Integral stainless steel retainer :	LM6-UD
Number of steel ball columns :	4
Weight (g) :	12

Main dimensions and tolerances (mm) :

dr :	6
tolerance :	0~-0.010

Main dimensions and tolerances (mm) flange :

D :	12
tolerance :	0~-0.013
L :	29
tolerance :	0~-0.3
B :	20
tolerance :	0~-0.5
W :	1.1
D1 :	11.5
Eccentricity (um) :	15

Rated load :

C(N) :	225
Co(N) :	305

: