

Super adjustable linear bearing

LMES series-**LMES25OPLMES25UUOP**

参数信息:

Shaft diameter (mm) : 25

model :

No seal : LMES25O
P

seal up : LMES25U
UOP

Number of ball
columns : 5

Weight (g) : 102

Size (mm) :

D1 : 40

$L \pm 0.2$: 58

$L1 \pm 0.2$: 1.9

L2 min : 11.5

Inner circle diameter :

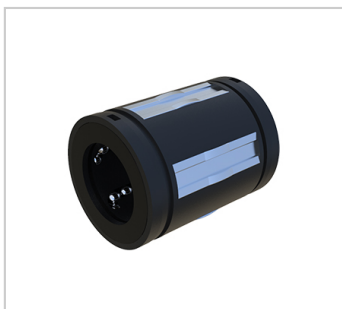
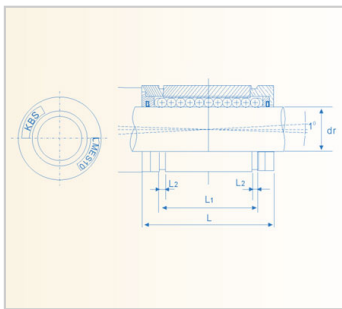
Diameter (mm) : 1.5

Tolerance (μ m) : 1.4

Basic rated load :

Dynamic load C (N) : 3910

Static load Co (N) : 2850



: