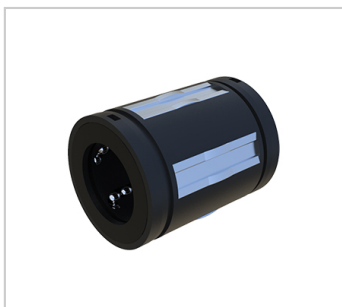
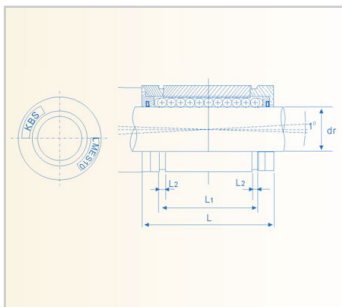


Super adjustable linear bearing

LMES series-LMES20LMES20UU

参数信息:



Shaft diameter (mm) : 20

model :

No seal :	LMES20
seal up :	LMES20U U

Number of ball columns :	6
--------------------------	---

Weight (g) :	61
--------------	----

Size (mm) :

D1 :	32
L ± 0.2 :	45
L1 ± 0.2 :	31.3
L2 min :	1.65

Inner circle diameter :

Diameter (mm) :	20
Tolerance (μ m) :	+9/1

Basic rated load :

Dynamic load C (N) :	2580
Static load Co (N) :	1670

: